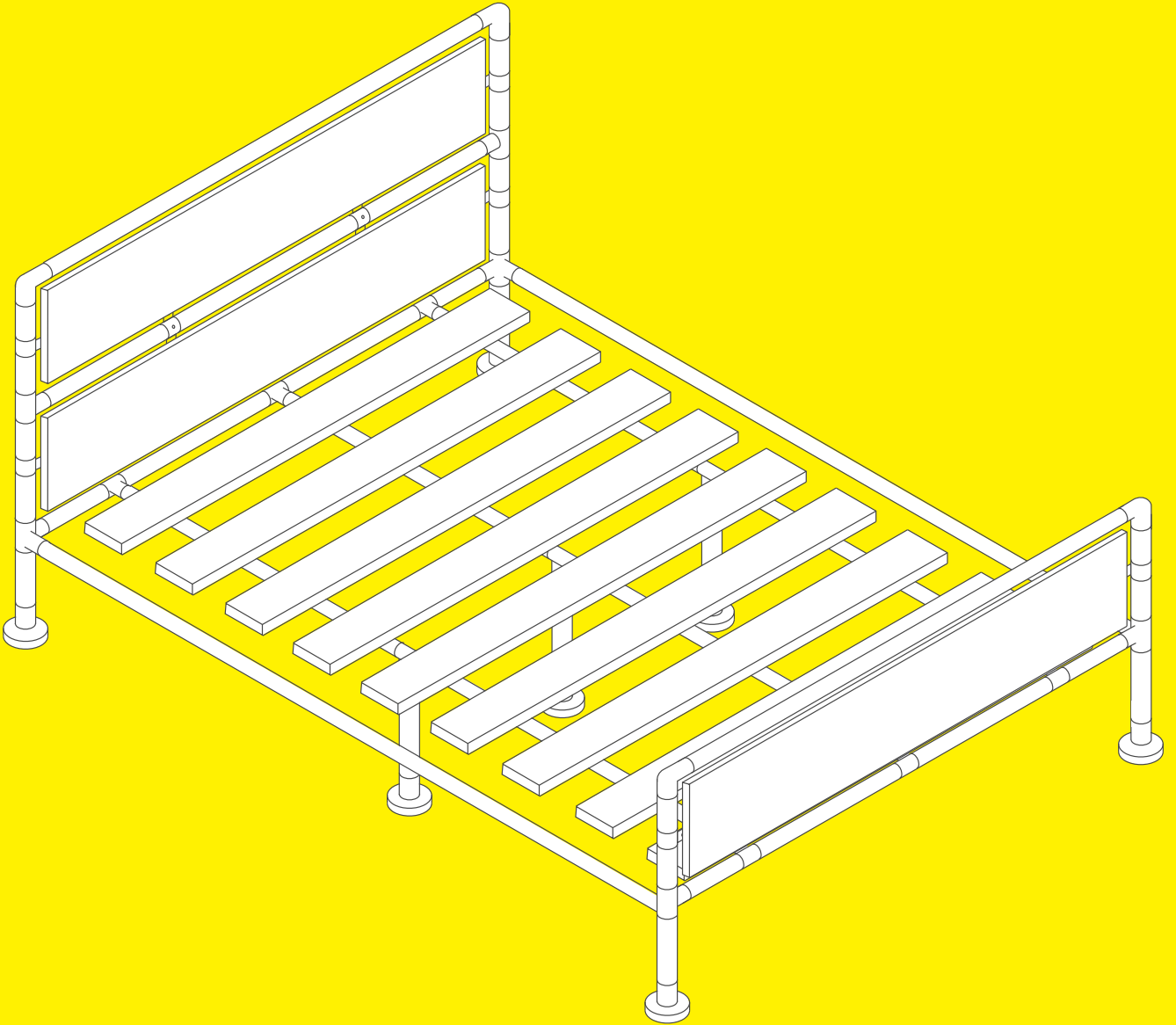


**THE
METAL
STORE[®]**

Step by Step Assembly Guide



Build Your Own Self Colour Double Bed Frame

THE ONE STOP METALWORK SHOP

If you need any further help, then we're just a call away.

Call us on:
01274 875479

Build Your Own Self Colour Double Bed Frame

Step by Step Assembly Guide

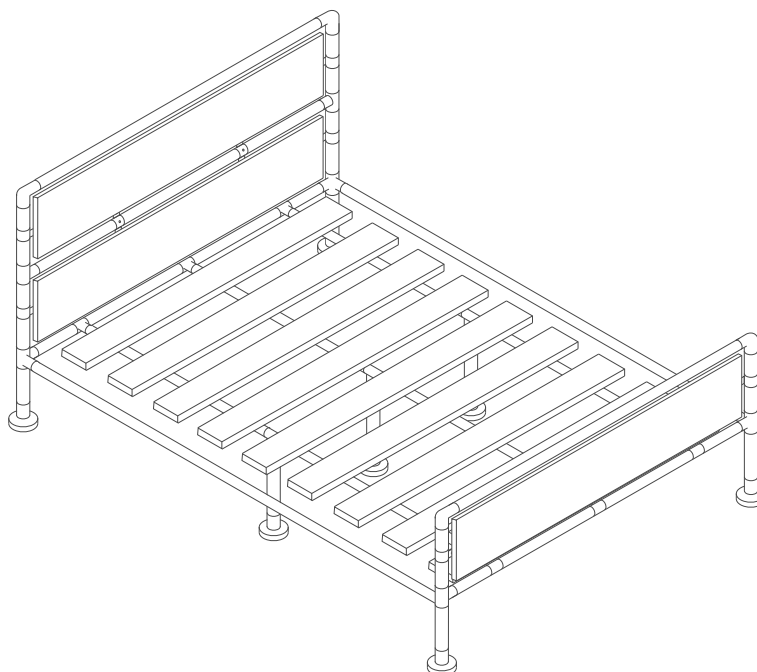
What you will need...

- Hex key supplied

Product Summary

Made from 33.7mm self colour tube and tube clamp parts, this kit comes complete with all the components for you to make one self colour bed frame and also comes with slats to suit.

The double bed frame is built to suit a mattress 1900mm long x 1350mm wide.



Parts:



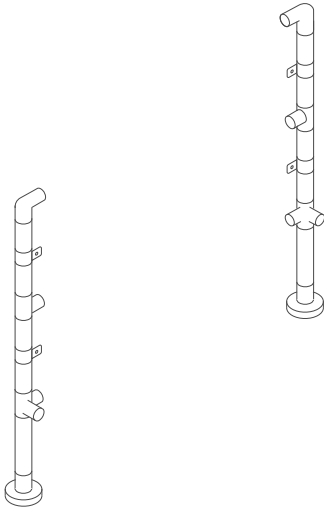
THE ONE STOP METALWORK SHOP

If you need any further help, then we're just a call away.

Call us on:
01274 875479

Step by Step Guide - Self Colour Double Bed Frame

**THE
METAL
STORE®**

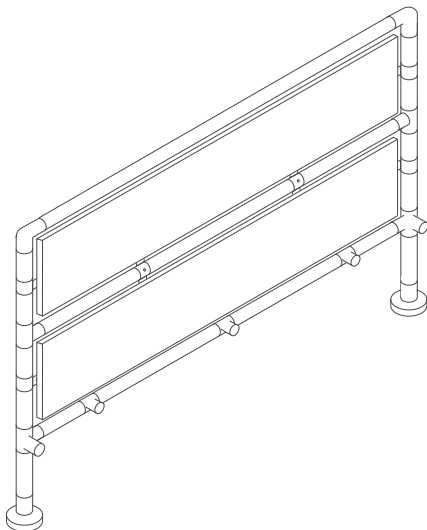
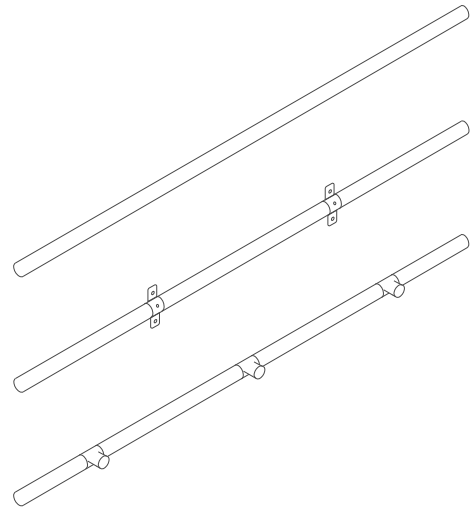


Step 1

Take a length of tube at 860mm and lay flat on the floor. Take a Wall Plate (131) and slide the tube into it so the tube hits the bottom of the fitting and tighten the grubscrew using the allen key provided. Slide a 3 Way Through (116) down the tube ensuring one end points inwards and the other towards you. Do the same with a Single Lugged Bracket (199) ensuring the flat plate is facing away from you followed by a Short Tee (101) and another Single Lugged Bracket (199) Finish this tube by adding a 90 Degree 2 Way Elbow (125) and tighten the grubscrew. Repeat this process so you have 2 legs which both face inwards.

Step 2

Lay 3 lengths of tube at 1400mm horizontally on the floor and space apart roughly 300mm. Take 2 Double Lugged Brackets (198) and place onto the middle tube ensuring the flat side of the fitting is facing away from you. Position these centrally so they are the same distance away from the edge of the tube. Take 3 Short Tee's (101) and slide them across the bottom tube ensuring they point towards you and leave loose.



Step 3

Join the 3 horizontal tubes to the 2 vertical tubes you created in Step 1 leaving a space the size of the scaffold boards. Place 2 scaffold boards 1370mm long inside the gaps and secure the boards to the Single Lugged Brackets (199) and Double Lugged Brackets (198) Once the boards are secure and you are happy with the position of everything you can tighten the grubscrews. This completes the Head of your bed frame.

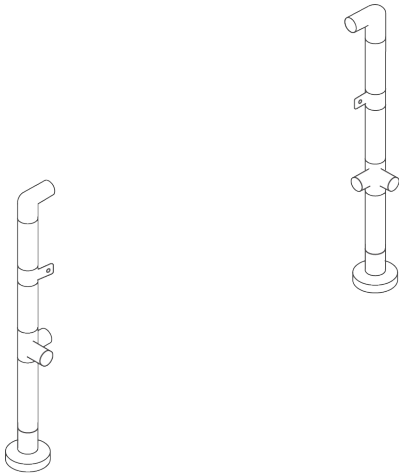
THE ONE STOP METALWORK SHOP

If you need any further help, then we're just a call away.

**Call us on:
01274 875479**

Step by Step Guide - Self Colour Double Bed Frame

**THE
METAL
STORE®**

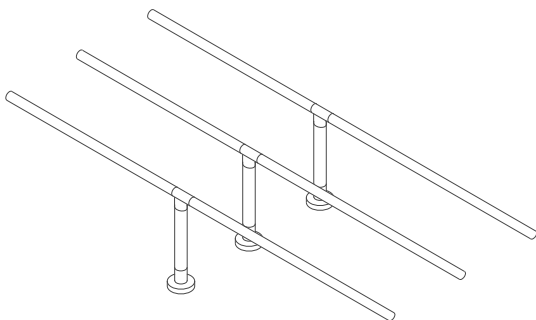
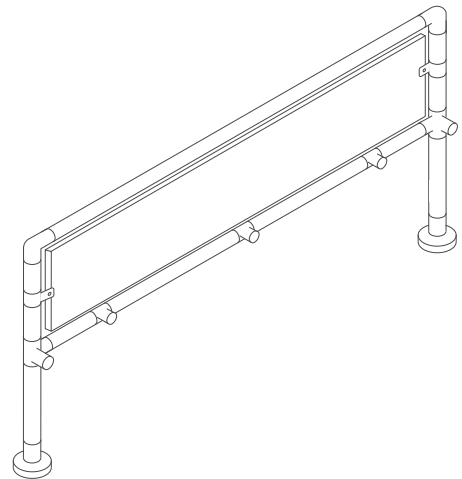


Step 4

Take a length of tube at 620mm and lay flat on the floor. Take a Wall Plate (131) and slide the tube into it so the tube hits the bottom of the fitting and tighten the grubscrew. Slide a 3 Way Through (116) down the tube ensuring one end points inwards and the other towards you. Do the same with a Single Lugged Bracket (199) ensuring the flat plate is facing you and inwards. Finish this tube by adding a 90 Degree 2 Way Elbow (125) and tighten the grubscrew. Repeat this process so you have 2 legs which both face inwards.

Step 5

Lay 2 lengths of tube at 1400mm horizontally on the floor and space apart roughly 300mm. Take 3 Short Tee's (101) and slide them across the bottom tube ensuring they point towards you and leave loose. Join these 2 tubes to the 2 verticals you created in Step 4 and tighten the grubscrews. Place the remaining scaffold board at 1370mm inside the frame and secure.



Step 6

Take 3 lengths of tube at 1940mm and place a Short Tee (101) at the centre of the tube and tighten the grubscrew. Place a length of tube 340mm inside the Short Tee (101) and place a Wall Plate (131) on the bottom of the tube. Tighten the grubscrews and repeat the process another 2 times to ensure you have 3 identical tubes.

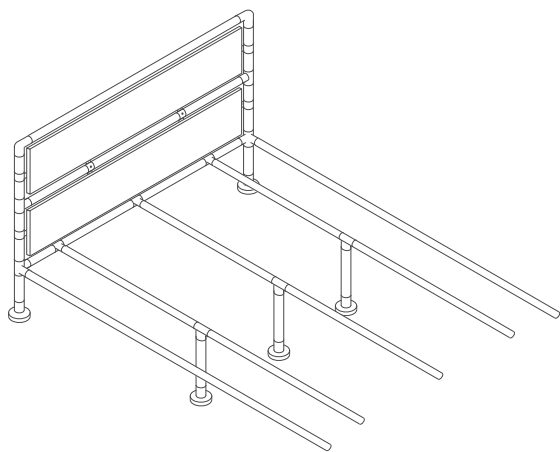
THE ONE STOP METALWORK SHOP

If you need any further help, then we're just a call away.

**Call us on:
01274 875479**

Step by Step Guide - Self Colour Double Bed Frame

**THE
METAL
STORE®**

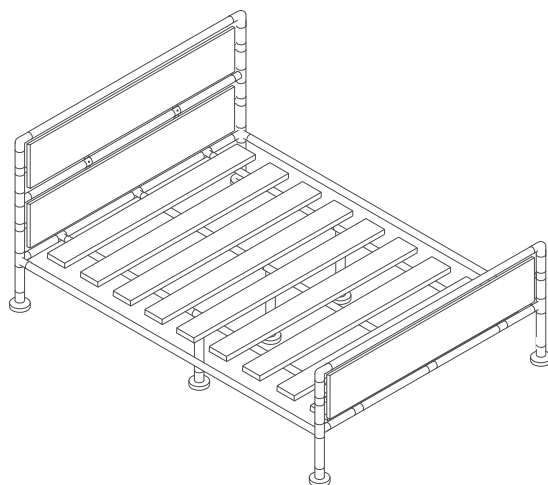


Step 7

Connect the 3 lengths of tube you created in Step 6 to the head of the bed you created in Step 3. Ensure that 1 of the tubes is centralised while the other 2 tubes are roughly 100mm from the edge of the bed. Take the 2 remaining lengths of tube at 1940mm and place into the 3 Way Through (116) on the head of the bed and tighten the grubscrews.

Step 8

Take the foot of the bed that you created in Step 5 and fix to the rest of the bed. Once you are happy with the positioning of the tubes, tighten the grubscrews. You can now finish the bed by adding the bed slats which are supplied with your kit.



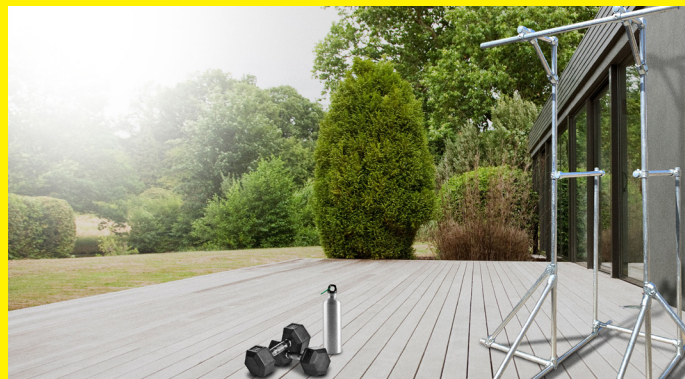
THE ONE STOP METALWORK SHOP

If you need any further help, then we're just a call away.

**Call us on:
01274 875479**

**THE
METAL
STORE[®]**

**Check out some more
of the kits we sell.**



For these and many other kits, visit:

www.themetalstore.co.uk

THE ONE STOP METALWORK SHOP

If you need any further help, then we're just a call away.

**Call us on:
01274 875479**