

**THE
METAL
STORE®**

Step by Step Assembly Guide

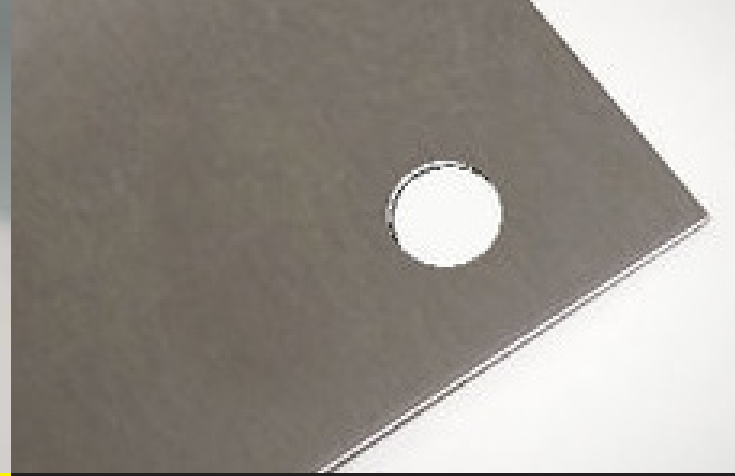


Build Your Own Stainless Steel Splashback

THE ONE STOP METALWORK SHOP

If you need any further help, then we're just a call away.

**Call us on:
01274 875479**



Build Your Own Stainless Steel Splashback

Step by Step Assembly Guide

What you will need...

- Fixing Kit (Sold Separately)
- Drill with 6mm masonry drill bit.
- Electric Screwdriver
- Hammer
- Spirit Level

Product Summary

Our Splashbacks are supplied in a high quality, brushed finish, commercial 304 grade stainless steel. They are non-magnetic and are supplied in a thickness of 0.9mm. They are flat steel and can be fixed directly to the wall with either glue or screws.

Grade 304 is the commercial grade of stainless steel and is the most commonly used grade; suitable for most general applications. It is easy to weld and has good forming properties, corrosion and heat resistance.

Please note that the pre-cut sheets in the above menu are only sold in the sizes shown and are not included in our cutting service. If you require specific lengths for your project then use our splashback calculator at the top of the page to adjust the sizes to suit your requirements.

You can purchase your stainless steel products through our website or by calling our sales team on 01274 845394 who will be happy to process the order for you. Please note that our splashbacks are not mounted on MDF.

Important Safety Notice: We would like to point out that the edges of the sheet metal we sell are not buffed, polished or finished and therefore, may be sharp. We ask that our customers take care when handling, using and fitting these products.



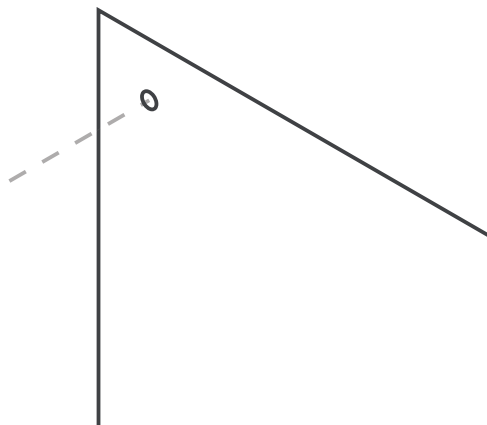
THE ONE STOP METALWORK SHOP

If you need any further help, then we're just a call away.

**Call us on:
01274 875479**

Step by Step Guide

**THE
METAL
STORE[®]**

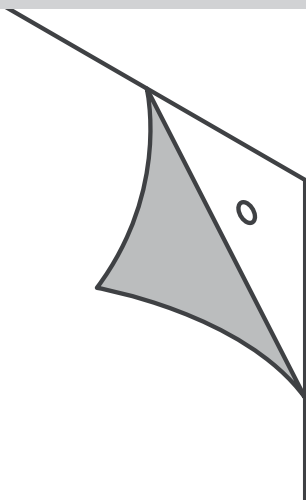
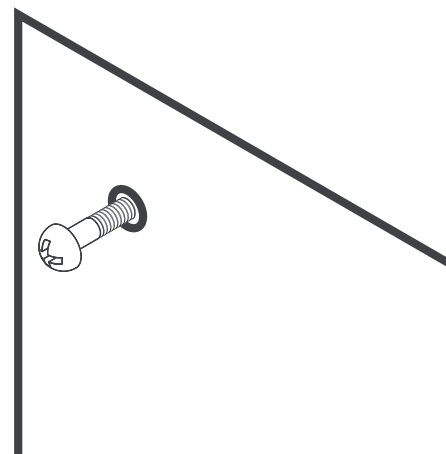


Step 1

Take the stainless steel splashback and place against the wall with the protective layer facing you and ensuring the splashback sits level on the worktop. If you have chosen to fix your splashback to the wall using a fixing kit, take a pen/pencil and put a mark on the wall through the centre of each hole to show where needs to be drilled.

Step 2

Remove the splashback and drill holes deep enough to fit the red plugs provided. Push the plugs into the holes or tap in using a hammer. Place the splashback onto the wall ensuring the holes line up with the plugs inside the wall. Using the screws provided, insert them into each plug and secure using an electric screwdriver.



Step 3

Peel off the protective film on the front of the splashback. Take the brushed stainless steel caps out of the bag and push into the screw heads ensuring they go all the way in.

THE ONE STOP METALWORK SHOP

If you need any further help, then we're just a call away.

**Call us on:
01274 875479**